

Stainless Steel-Cranks

SPECIFICATION

Types

- Type **A**: without slot
 - Type **N**: with slot
- Stainless Steel AISI 304
- shot-blasted
 - Crank butt-welded

Cover cap
Plastic, black

Revolving handle

- Plastic, Duroplast, black shiny finish
- temperature resistant up to 110 °C



INFORMATION

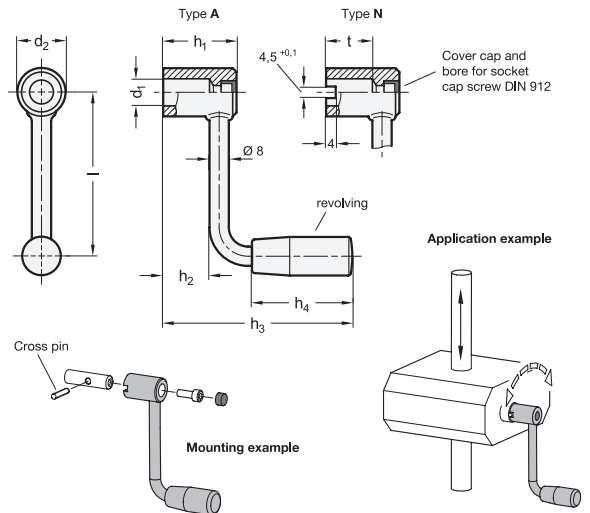
Stainless Steel-Cranks GN 369.5 feature a compact design and are used for light drive and positioning tasks. Thanks to the material used, the cranks are also suitable for more aggressive environments.

The slot of type N easily transfers the rotary movement to the shaft by means of a transverse pin mounted in the shaft. The crank can be connected removably or permanently fastened axially with a socket head cap screw DIN 912. Type A can be ordered with transverse holes for GN 110 (see page A17).

Thanks to a simple manufacturing process, it is relatively easy and inexpensive to produce these cranks as special designs.

TECHNICAL INFORMATION

- Cross holes GN 110 (see page A17)
- ISO-Fundamental Tolerances (see page A21)
- Stainless Steel characteristics (see page A26)



GN 369.5-A

STAINLESS STEEL

Description	l ≈	d1 H9	d2	h1	h2 ≈	h3 ≈	h4 ≈	t +0.5	Ø Handle	For screws DIN 912	⚖
GN 369.5-63-B10-A	63	B 10	18	28	18	74	40	18	18	M 5	90
GN 369.5-80-B10-A	80	B 10	18	28	18	74	40	18	18	M 5	97
GN 369.5-100-B12-A	100	B 12	20	30	20	88	50	20	21	M 6	119
GN 369.5-125-B12-A	125	B 12	20	30	20	88	50	20	21	M 6	140

GN 369.5-N

STAINLESS STEEL

Description	l ≈	d1 H9	d2	h1	h2 ≈	h3 ≈	h4 ≈	t +0.5	Ø Handle	For screws DIN 912	⚖
GN 369.5-63-B10-N	63	B 10	18	28	18	74	40	18	18	M 5	89
GN 369.5-80-B10-N	80	B 10	18	28	18	74	40	18	18	M 5	95
GN 369.5-100-B12-N	100	B 12	20	30	20	88	50	20	21	M 6	118
GN 369.5-125-B12-N	125	B 12	20	30	20	88	50	20	21	M 6	136